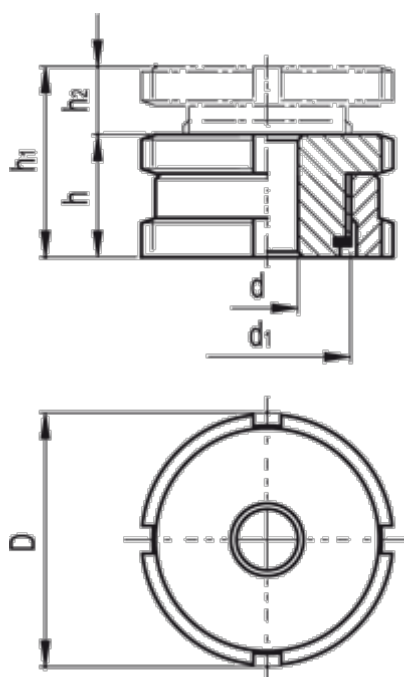


Article number: 20664235B
Description: E+G Levelling set
GN 350.1-58-22-ST

Measures



C-spanner DIN 1810 = A58-62
d = 22.0
D = 58
d1 = M40x1
For screw = M20
h = 28
h1 = 37
h2 = 9

Max static load (N) = 210.0
Static preload (N) = 90.0
Weight (g) = 418